

ENG

DTouch

HMI solutions by DTI

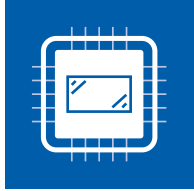


DTouch range

DTouch products are the DTI's proposal for HMI solutions. They are designed to satisfy all the needs of the customers in terms of user interface and IoT.

DTouch-0, DTouch-1 and DTouch-2 are three hardware platforms designed to equip any machine with a user interface suitable for its product segment, from entry level to top of the range.

The devices are tested both from the functional point of view than at electrical level, guaranteeing a high standard of reliability and quality.



DTouch SOLUTIONS

DTouch-0



ST ARM Cortex M4



DTI Libraries and firmware

DTouch-1



ST ARM Cortex M7 - 2 Mb Flash



DTI Libraries and firmware

DTouch-2



ARM Cortex-A7 NXP i.MX8M Mini Family



Linux and



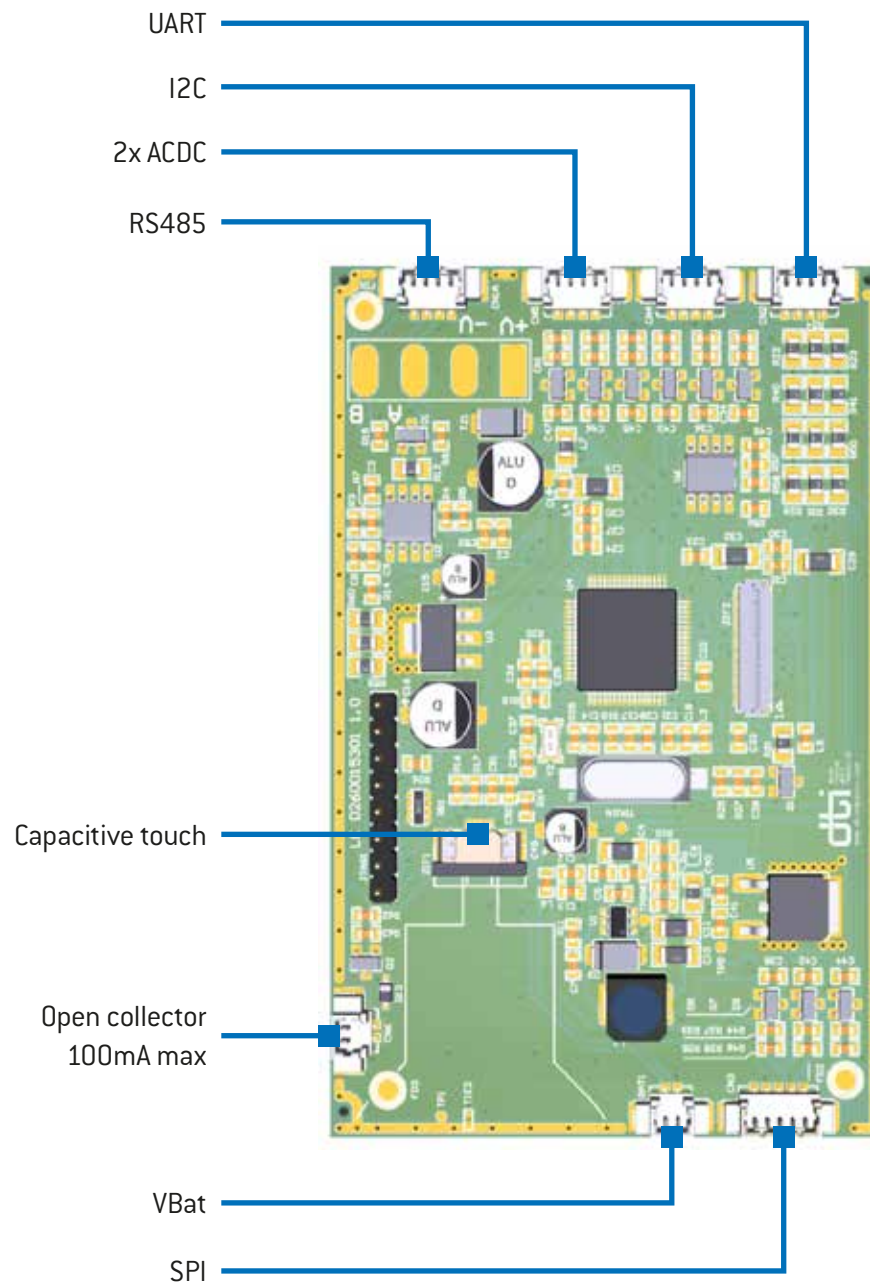
Android



DTouch-0

User interface optimized for small displays and light graphics

- Processor ARM®Cortex® - M4 32bit RISC
- Frequency: up to 84MHz
- TFT size: 2,4", 2,8", 3,5"
- Power supply: 5-12Vdc
- Low power RTC
- Communication: Modbus RS485, TTL and various customizable I/O, USB
- Connectivity: DTI DConnect modules

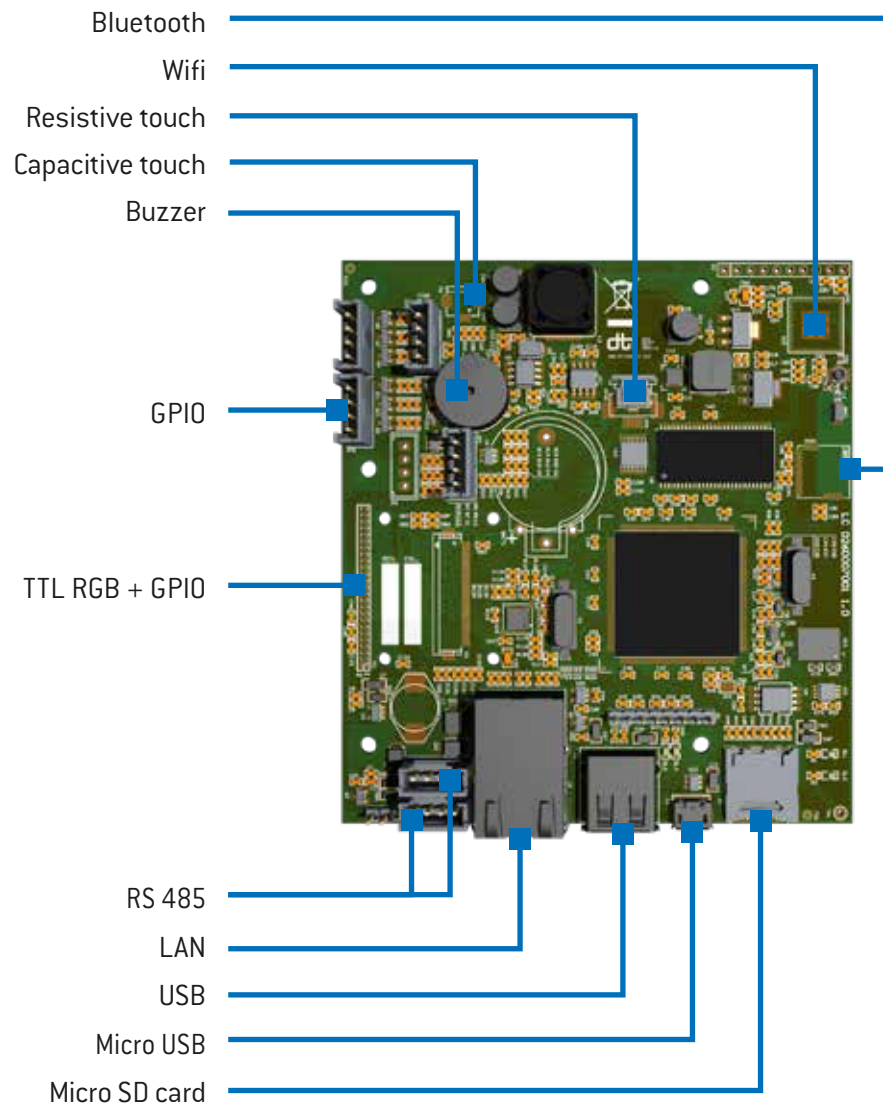




DTouch-1

Electronics equipped with a graphic accelerator, which allows a responsive human-machine interface, suitable for medium-sized displays.

- High performance processor, ARM®Cortex®- M7 32bit
- Flash memory: up to 1Mbyte
- SRAM: 320 KByte + 8MByte (ext)
- Frequency: 216MHz
- TFT sizes: up to 10,1"
- Power supply: 5-12Vdc
- Communication interfaces: Modbus RS485, TTL and customizable I/O, USB and micro SD
- Connectivity: DTI Dconnect modules

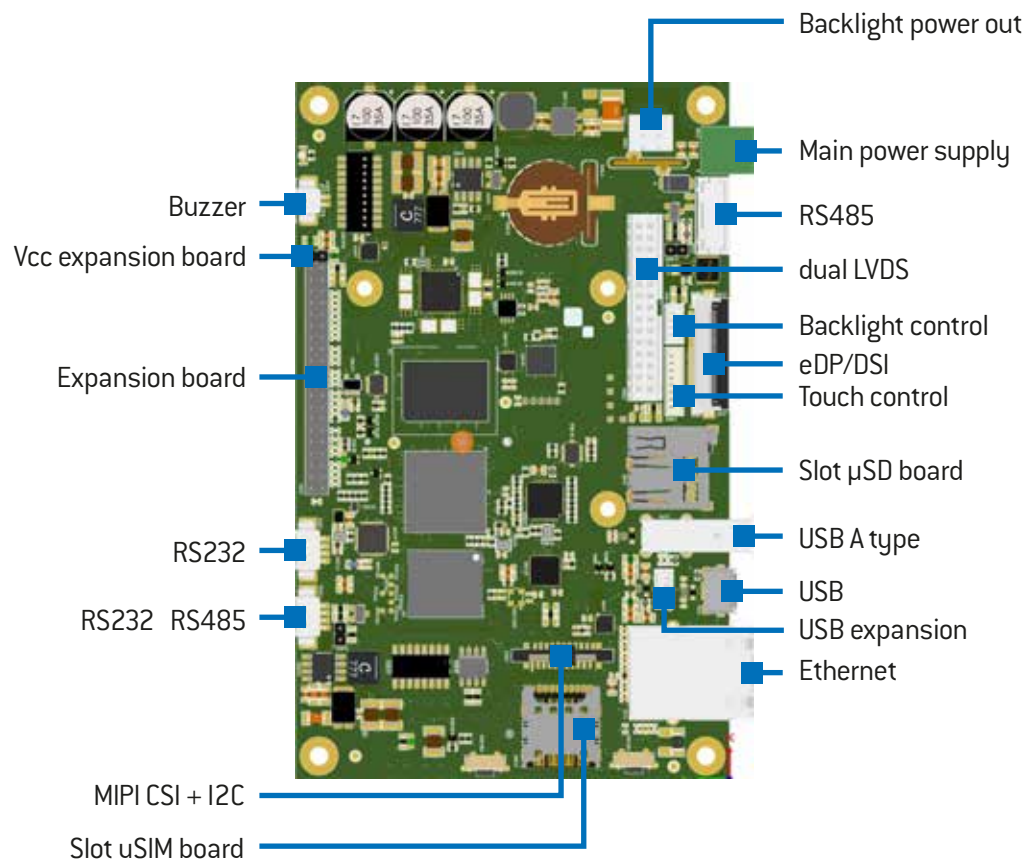


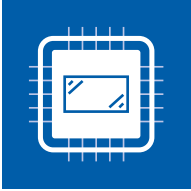


DTouch-2

Embedded solution with high performance. It guarantees energy efficiency, multimedia capabilities and integrated ML/AI. Suitable for any display size.

- New state-of-the-art processor, ARM® Cortex®-A7 NXP i.MX8M Mini Family
- Frequency: up to 1,6GHz
- 512MiB to 2GiB LPDDR4 RAM memory
- Storage memory: 8GiB eMMC Flash eMMC standard BGA 153 pin
- Power supply: 9÷36V
- TFT dimensions: from 5" to 21,5"
- Connectivity: PCIe connector for phone connection, Bluetooth 5.0, Wi-Fi 802.11ac/a/ b/g/n, Ethernet interface, RS232, RS485

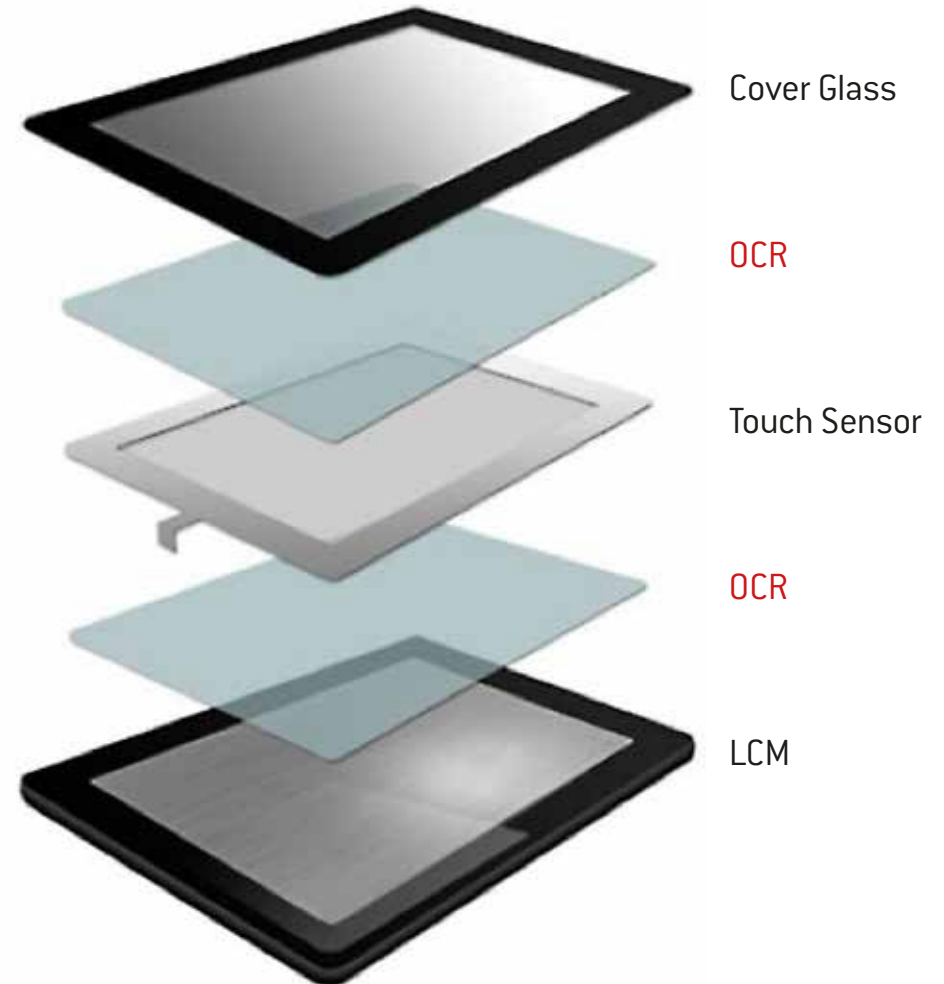
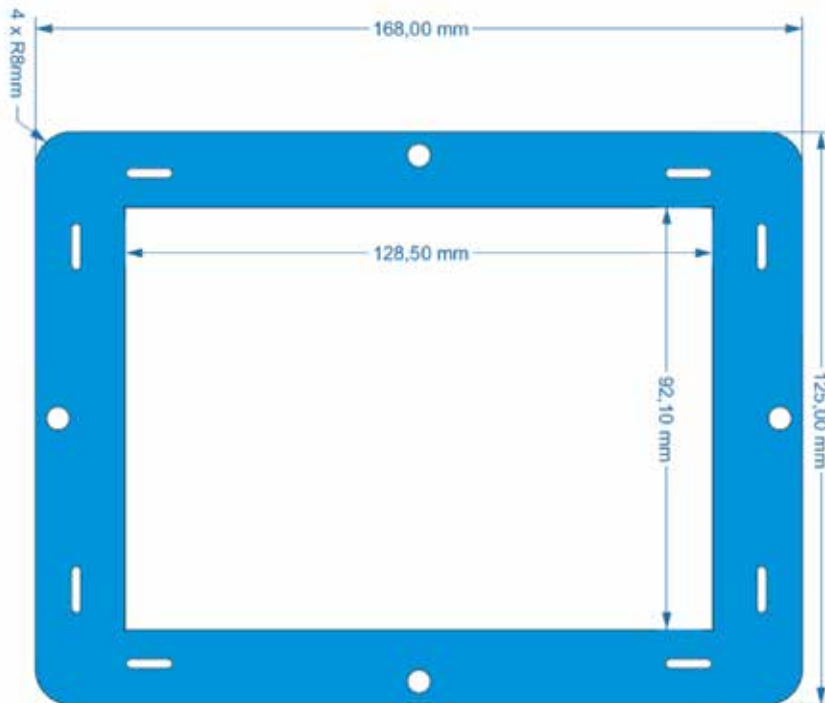


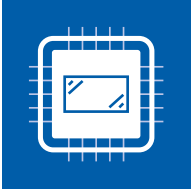


INSTALLATION

DTI offers several solutions for fixing LCDs by glass bonding and mechanical supports:

- Bonding on standard/customized glass with AIR BONDING or OPTICAL BONDING technology
- Direct bonding to panel
- Standard mechanical bracket
- Custom mechanical bracket





SERVICES

DTI provides the following services:

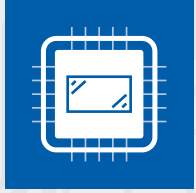
■ Graphic development	Customers can freely choose the option that best suits the application
■ Firmware development	We develop the hardware platform's firmware in a flexible, efficient, and optimized way
■ Software development	We develop software tailored to the various needs starting from the customer's technical specifications
■ Hardware development	Each platform can be easily adapted to the application needs
■ Glass bonding	Our technologies and accumulated know-how, allow the bonding of displays with glasses of any shape and size

IoT SOLUTIONS

DTI Advanced Connectivity

All DTI embedded products allow an easy and secure connection to the DCloud web platform through the DConnect modules.





FUNCTIONS DESCRIPTION

 Digital I/O

 SPI/I2C

 STM32 Microcontroller

 WIFI

 RS485

 USB2

 LVDS-TTL 18 BIT

 Micro SD

 CAN

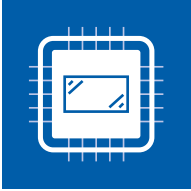
 RS232

 Audio

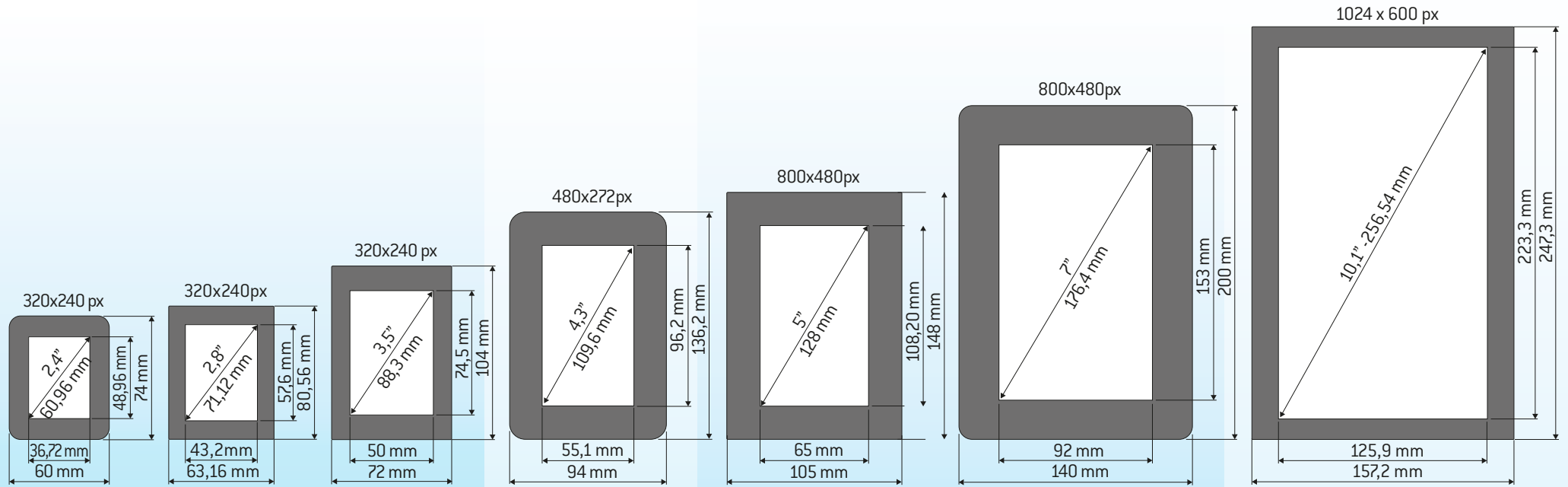
 Ethernet

 Android

 Linux



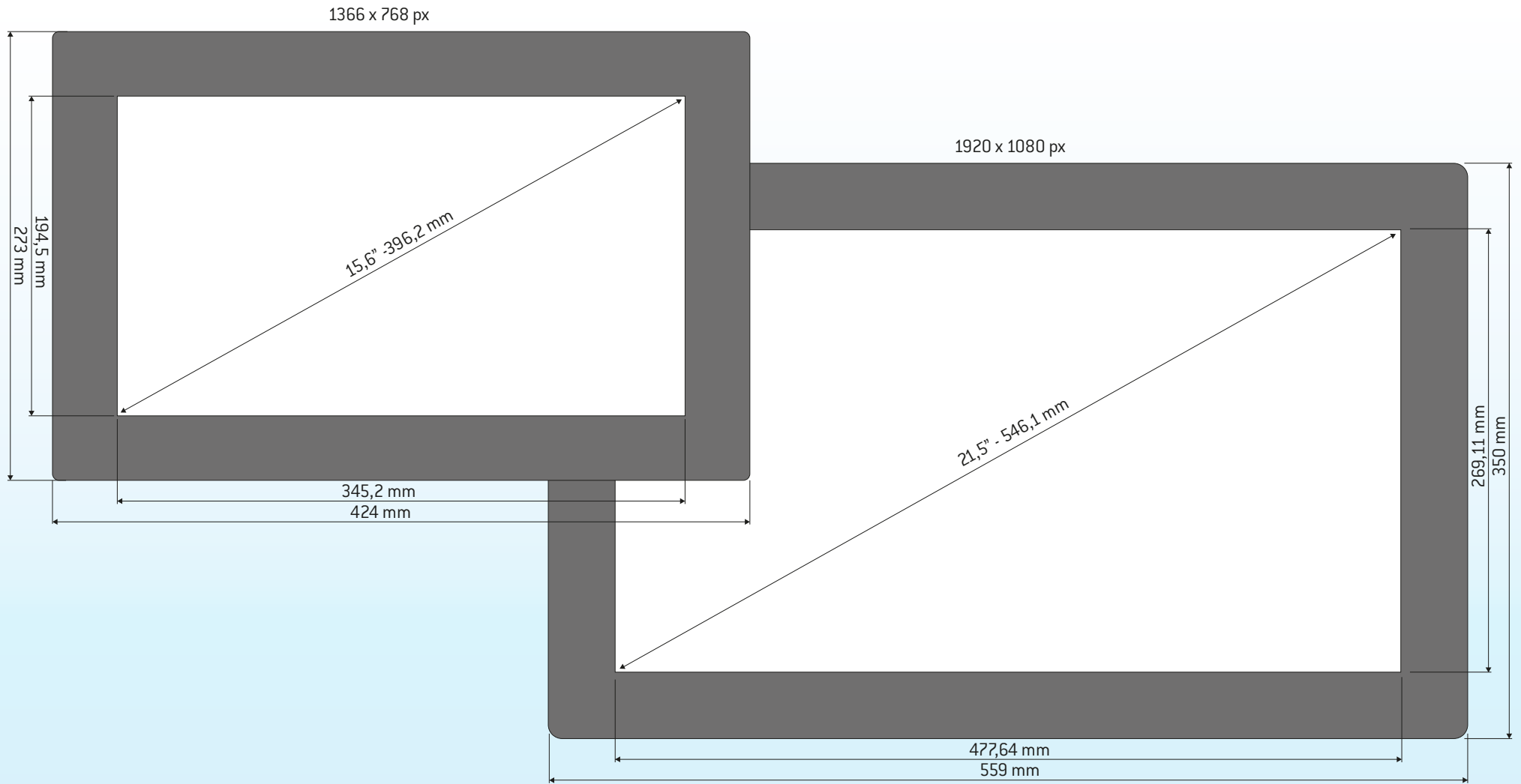
DISPLAY FORMATS



DTouch-0

DTouch-1

DTouch-2





DTI Srl

- Via Palladio . 11
- I-33010 Tavagnacco . UD . Italy
- Tel: +39 0432 855071
- Fax: 0432 881848
- info@dtindustry.com
- www.dtindustry.com